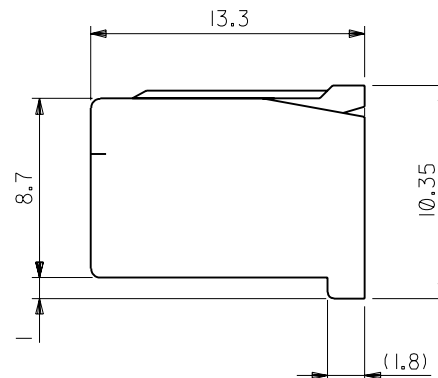
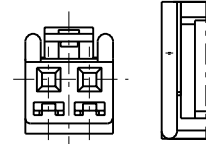


ターミナル装着状態図
TERMINAL ASSEMBLY DRAWING



注記 NOTES

- △ 適合ターミナル：50539-****
APPLICABLE TERMINAL：50539-****
- 2. 嵌合相手：53520,53521,53525 シリーズ
MATE WITH：53520,53521,53525 SERIES
- △ 偶数極のみ適用
APPLY FOR EVEN CKT.

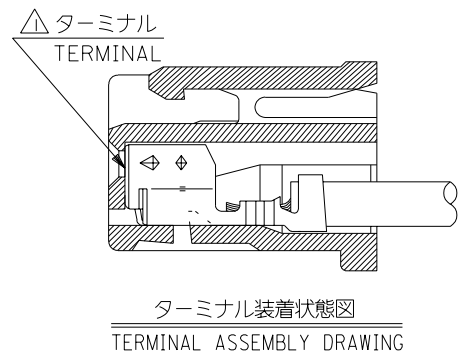
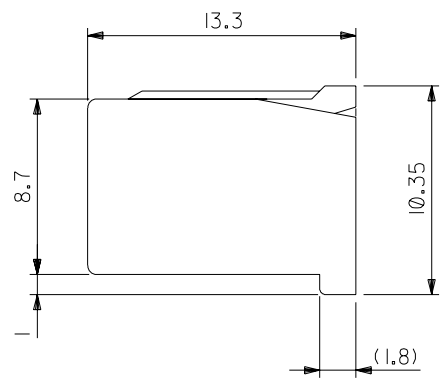
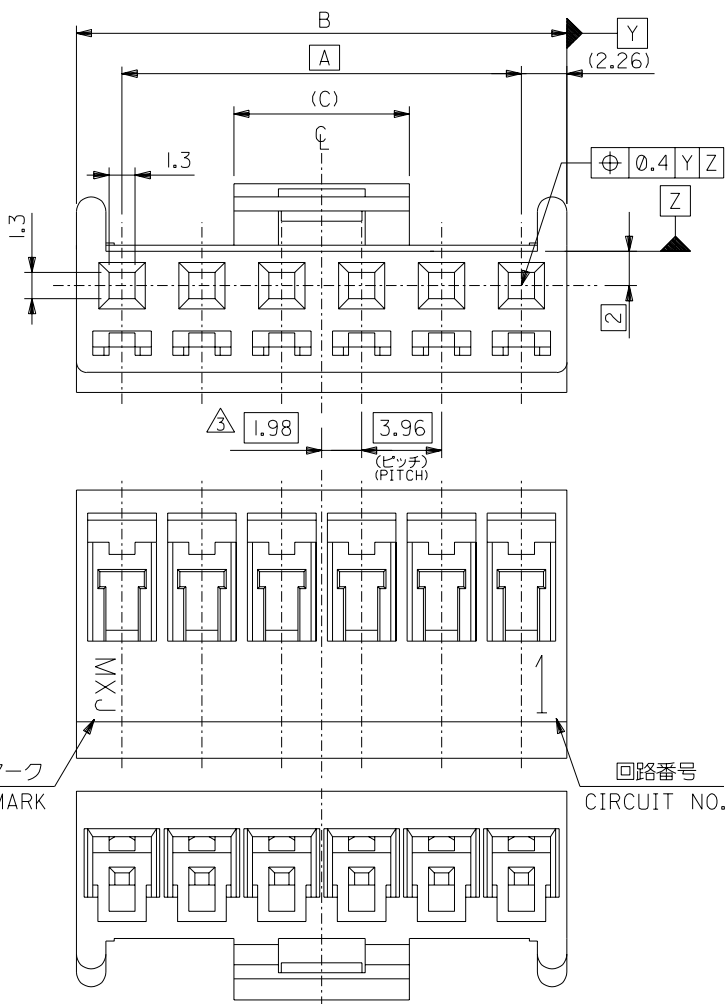


2極に適用
APPLY FOR 2 CKT.

8.7	59.96	55.44	51144-1500	15
	56	51.48	-1400	14
	52.04	47.52	-1300	13
	48.08	43.56	-1200	12
	44.12	39.6	-1100	11
	40.16	35.64	-1000	10
	36.2	31.68	-0900	9
	32.24	27.72	-0800	8
	28.28	23.76	-0700	7
	24.32	19.8	-0600	6
	20.36	15.84	-0500	5
	16.4	11.88	-0400	4
	12.44	7.92	-0300	3
4.74	8.48	3.96	51144-0200	2
(C)	B	A	ENG. NO.	CKT. 極数

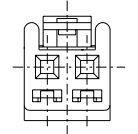
角度 ANGLE	±3°							材料 MATERIAL	PBTP,UL94V-0
30以上 OVER	+0.3							仕上げ FINISH	—
10以上 OVER 30未滿 UNDER	+0.25	A	変更 REVISD (J2002-0316)	T.N.K.	'01/8/7			適用電線範囲 WIRE RANGE	—
10未滿 UNDER	+0.2	0	新規/FEI RELEASED (JC60058)	T.N.K.	'95/7/27			被覆外径 INS. RANGE	—
一般公差 GENERAL TOLERANCES	LTR	記号 REVISION RECORD	変更内容	DR. CHK.	日付 DATE	APP'D BY T.YAMAGUCHI	尺度 SCALE	CHK'D BY '01/8/8 K.ASAKAWA	

MOLEX-JAPAN CO.,LTD. 日本モレックス株式会社	
REVISE ONLY ON CAD SYSTEM	
TITLE 名称 3.96 WIRE TO BOARD CONN. RECEPTACLE HOUSING	
DWG. NO. SD-51144-**-00	REV A



注記 NOTES

- △ 適合ターミナル：50539-****
APPLICABLE TERMINAL：50539-****
- 2. 嵌合相手：53520,53521,53525 シリーズ
MATE WITH：53520,53521,53525 SERIES
- △ 偶数極のみ適用
APPLY FOR EVEN CKT.
- 4. 製品型番の下1桁は色を表す。
LAST DIGIT OF PART NUMBER INDICATES COLOR.
1：黒 BLACK 2：赤 RED 3：黄 YELLOW
4：青 BLUE 5：灰 GRAY 6：緑 GREEN
7：茶 BROWN 8：橙 ORANGE 9：紫 VIOLET
0：白 WHITE



2極に適用
APPLY FOR 2 CKT.

8.7	59.96	55.44	51144-150*	15
	56	51.48	-140*	14
	52.04	47.52	-130*	13
	48.08	43.56	-120*	12
	44.12	39.6	-110*	11
	40.16	35.64	-100*	10
	36.2	31.68	-090*	9
	32.24	27.72	-080*	8
	28.28	23.76	-070*	7
	24.32	19.8	-060*	6
	20.36	15.84	-050*	5
	16.4	11.88	-040*	4
8.7	12.44	7.92	-030*	3
4.74	8.48	3.96	51144-020*	2
(C)	B	A	MATERIAL NO.	CKT. 極数

トレードマーク
TRADE MARK

回路番号
CIRCUIT NO.

DO NOT SCALE DRAWING

64 NO. DRAWN: CH'K: APPR: 63 NO. DRAWN: CH'K: APPR: 62 NO. DRAWN: CH'K: APPR: 61 NO. DRAWN: CH'K: APPR:	60 NO. DRAWN: CH'K: APPR: 59 NO. DRAWN: CH'K: APPR: 58 NO. DRAWN: CH'K: APPR: 57 NO. DRAWN: CH'K: APPR:	56 NO. DRAWN: CH'K: APPR: 55 NO. DRAWN: CH'K: APPR: 54 NO. DRAWN: CH'K: APPR: 53 NO. DRAWN: CH'K: APPR:	52 NO. DRAWN: CH'K: APPR: 51 NO. DRAWN: CH'K: APPR: 50 NO. DRAWN: CH'K: APPR:	49 NO. DRAWN: CH'K: APPR: 48 NO. DRAWN: CH'K: APPR: 47 NO. DRAWN: CH'K: APPR: 46 NO. DRAWN: CH'K: APPR:	45 NO. DRAWN: CH'K: APPR: 44 NO. DRAWN: CH'K: APPR: 43 NO. DRAWN: CH'K: APPR: 42 NO. DRAWN: CH'K: APPR:	41 NO. DRAWN: CH'K: APPR: 40 NO. DRAWN: CH'K: APPR: 39 NO. DRAWN: CH'K: APPR: 38 NO. DRAWN: CH'K: APPR:	37 NO. DRAWN: CH'K: APPR: 36 NO. DRAWN: CH'K: APPR: 35 NO. DRAWN: CH'K: APPR: 34 NO. DRAWN: CH'K: APPR:	33 NO. DRAWN: CH'K: APPR: 32 NO. DRAWN: CH'K: APPR: 31 NO. DRAWN: CH'K: APPR: 30 NO. DRAWN: CH'K: APPR:	29 NO. DRAWN: CH'K: APPR: 28 NO. DRAWN: CH'K: APPR: 27 NO. DRAWN: CH'K: APPR: 26 NO. DRAWN: CH'K: APPR:	25 NO. DRAWN: CH'K: APPR: 24 NO. DRAWN: CH'K: APPR: 23 NO. DRAWN: CH'K: APPR: 22 NO. DRAWN: CH'K: APPR:	21 NO. DRAWN: CH'K: APPR: 20 NO. DRAWN: CH'K: APPR: 19 NO. DRAWN: CH'K: APPR: 18 NO. DRAWN: CH'K: APPR:	17 NO. DRAWN: CH'K: APPR: 16 NO. DRAWN: CH'K: APPR: 15 NO. DRAWN: CH'K: APPR: 14 NO. DRAWN: CH'K: APPR:	13 NO. DRAWN: CH'K: APPR: 12 NO. DRAWN: CH'K: APPR: 11 NO. DRAWN: CH'K: APPR: 10 NO. DRAWN: CH'K: APPR:	9 NO. DRAWN: CH'K: APPR: 8 NO. DRAWN: CH'K: APPR: 7 NO. DRAWN: CH'K: APPR: 6 NO. DRAWN: CH'K: APPR:	5 NO. DRAWN: CH'K: APPR: 4 NO. DRAWN: CH'K: APPR: 3 NO. DRAWN: CH'K: APPR: 2 NO. DRAWN: CH'K: APPR:	1 NO. DRAWN: CH'K: APPR: 0 NO. DRAWN: CH'K: APPR:	MODEL NO. 51144-**-0*	DIMENSIONS: <input type="checkbox"/> mm <input type="checkbox"/> INCH <input checked="" type="checkbox"/> mm ONLY	SHT 1 REV
																	GENERAL TOLERANCES: (UNLESS SPECIFIED) 一般公差 10 UNDER 未満 ±0.2 10 OVER 30 UNDER 未満 ±0.25 30 OVER 以上 ±0.3 ANGLE 角度 ±3°	SCALE 1:1 DESIGN UNITS <input checked="" type="checkbox"/> mm <input type="checkbox"/> INCH DRAWN BY & DATE T.TSUBOI '02/10/25 CHECKED BY & DATE K.ASAKAWA '02/10/25 APPROVED BY & DATE T.YAMAGUCHI '02/10/25 CAD FILENAME SD-51144-001.S01	TITLE: 3.96 WIRE TO BOARD CONN. RECEPTACLE HOUSING MOLEX MOLEX INCORPORATED

THIS DRAWING CONTAINS INFORMATION THAT IS PROPRIETARY TO MOLEX INCORPORATED AND SHOULD NOT BE USED WITHOUT WRITTEN PERMISSION. SIZE B